



ThinkCP™
Technologies
www.ThinkCP.com

User's Manual

Think Headtrip™2 MP3 Player

MP3

Caution! – Please Read This First

- Do not disconnect the Headtrip from the PC during file transferring or formatting data.
- It is not recommended that you use the Headtrip in extremely hot, cold, dusty or humid environments, in which it might cause damage to the internal electronic circuits.
- The warranty does not cover repairs due to accidents, user's neglect and misuse. The warranty only covers defective product or parts.
- Note: Once the Headtrip has finished playing all songs, it will automatically start over from the beginning track.
- You must click on U-disk indicator in the bottom right-hand corner to eject the Headtrip before you can safely disconnect the USB connection. You may lose data if this procedure is not followed. Double click on U-disk indicator in the bottom right-hand corner, then click on "property" icon. "drive program," "renew drive program"; according to computer set up drive program. If you find the Headtrip stops playing or fails to play, check the battery level to make sure it is fully charged or recharge the unit accordingly.

Standard Operating Instructions (Buttons + Controls)

On/off Button

1. **On/Play** To turn on the unit, press the On/Off button for 2 seconds. The red LED will turn on and then the green LED indicating it's playing.
2. **Off** To turn off the unit, press the On/Off button for 3 seconds. The green LED will blink about 4 seconds then shut off automatically.
3. **Pause/Play** To pause, press the On/Off button while the unit is playing with the green LED light on. Press the On/Off button again to resume playing.

Previous / Volume up:

1. Press the button to skip songs.
2. Press the button for 2 seconds to turn up the volume

Next / Volume down:

1. Click the key to skip to the next song
2. Press the key for about 2 seconds to turn down the volume

EQ Select

To select different EQ, press the EQ button during play to access Classic, Pop, Jazz, Rock, and Normal settings.

RED LED (Indicates the USB mode)

1. The red LED turns on when the MP3 Headtrip is connected to the PC.

2. The red LED blinks when the data is being transferred between the MP3 Headtrip and the PC (i.e. copying, moving, deleting or formatting);

3. When the Headtrip is turned on, the USB mode will change into the MP3 mode. The MP3 mode will change back to USB mode when it is turned off.

GREEN LED (Indicates the MP3 mode)

1. When the Headtrip unit is turned on, the green LED turns on and flashes every 1.3 second as an indicator that the unit is working properly.
2. The green LED stays on during the "on/off pause mode".

(Connecting the Headtrip to your PC)

- Plug the data transfer/Battery charging USB cable included with your Headtrip into any available USB port on your PC.
- Under "My computer" you should see a "Mobile disk" icon. The PC will now allow you to drag or copy the files that you want to download or upload.
- Note: You can use the MP3 Headtrip for standard MP3 listening and as a standard USB file transfer device for other files and images. During play mode, the Headtrip will only play the MP3 files and ignore other other functions (ie. file transferring & file deleting).

- Windows 98 Users Driver Installation; Insert the included CD into your PC's CD Drive and double click to open the CD ROM files. Find the file named setup.exe. and double click the file to begin installation. Follow the on-screen instructions to install.

(How to charge The Headtrip Battery)

- Use the USB/Power charging cable included with the unit, plug it into an available USB port on your system to start charging. (Note: The power cable can perform data transferring and power charging both at the same)
- The red LED light will remain on while the charging is taking place. It takes approximately 5 to 6 hours to fully charge the unit.
- In order to extend the battery life and optimize the MP3 playing time, the Headtrip unit should be charged in full each time.
- Battery life may vary depending on the operating environment factors and other conditions.
- Remove the power cable after the battery is fully charged to prevent shortening of the battery life.

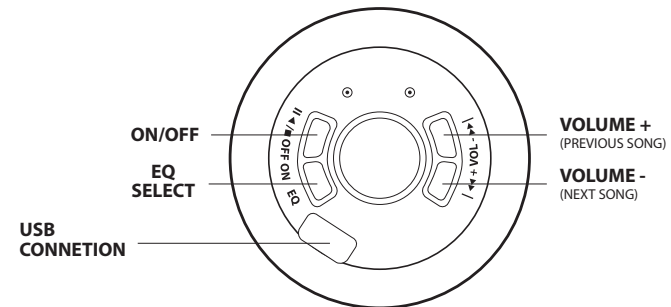
Specifications

Music Formats:	MP3
Color:	Alloy Metal/Black
Equalizer Mode:	Jazz, Classic, Rock, POP, Normal
Playing Time:	7 to 8 hours after fully charged
Volume:	32 step Volume Adjustment
Info/Noise Ratio:	86db
Track Separate Degree:	<75db
Encode/decode standard:	ISO 11172-3(MPEG1.0 Layer 3)
Data Flow Speed:	32Kdps - 38Kdps
Upload/Download Speed:	About 2.7 Mbps
Sound Wave Distortion:	<0.5%
PC Port:	USB 1.1
Capacity:	The number of MP3 files depends on the memory capacity and sampling rates.
Battery:	Rechargeable Internal 3.7V Li-Ion Battery with USB Port
Battery Charge Time:	3 hours (+/-)
Output Power:	55mw
Headphone Output Power:	5mw
Frequency Response:	20Hz - 20KHz
Current:	~ 140ma; Power Off <= 7uA; Working 35-40mA
Operating System:	Windows 98/ME/2000/ME/XP
Driver Requirement:	No driver required except for the Windows 98

Contacting Customer Service

Please READ these instructions carefully before contacting customer support. If you still believe that the Headtrip may be malfunctioning, please contact our customer service team by dialing (800) 726-2477 between the hours of 8:00 a.m. & 5:00 p.m. Pacific Standard Time. International customers can reach us at (949) 833-3222. Optionally, you can send email to: support@thinkcp.com.

Headtrip™ Control Diagram



Included Accessories:

- USB Wire for MP3 Transfer & Battery Charger
- Installation CD
- User's Manual